

DCP200 Digital Controller Programmer Specification

51-52-03-47 April 2009



Features

- ¼ DIN Format
- Graphical / text LCD Display (red/green)
- Set Point Profiling capability
- Datalogging option (data, alarms & events)
- Multi-language capability
- Configurable user-menu structure
- Modbus RS485 and Modbus TCP Ethernet supported
- USB option
- CE, UL and cUL



DCP200 Digital Controller Programmer

HMI Display

- Graphic display - Easy to read backlit LCD display
With text capabilities (160 x 80 pixels)
- Dual colour screen backlight (green / red).
Colour can be set to change on alarm.
- Multi-language capability
(English, French, German, Italian, Spanish, Russian)
- Custom splash-screen on startup (bitmap file)
- Alarm status view
- On screen trend view
- LEDs to indicate heat, cool, autotuning and alarm

User operation and control

- Easy setup wizard for quick configuration.
(inputs, alarms, outputs, comms & real-time clock)
- Universal input for thermocouple, RTDs and linear DC
process signals (mA, mV or V)
- Flexible output options, relay, ssd driver, triac & Linear
DC (9 max). Select to precisely match the process.
- Digital input (2 max) for setpoint selection, profile
control, datalogging start/stop, control output
enable/disable or auto/manual control
- Configurable menus (via BlueControl software)
USB port for local upload/download of configuration
files & download logged data
- Password protected supervisor and configuration mode
- Pre-tune and self-tune function
- Master-slave configuration for multi-zone applications

Profiling function

- 255 segments to allocate freely in up to 64 programs
- Ramp, dwell, hold, loop or jump to other profile
- User defined text profile names
- Delayed or real-time day/time profile start
- Up to 5 event outputs

Datalogging Function (option)

- Historic process data for analysis or reporting
- Export data files via front USB or comms
- Log process values, setpoints or alarms
(including min, max & ave)
- Run-then-stop or FIFO (first in – first out) buffer
recording
- Logging intervals from 1s to 30m

Description

The DCP200 with a graphic/text LCD display is an affordable temperature and process controller with advanced functionality including profiling and datalogging options. Designed to improve user efficiency many features are integrated to reduce commissioning time, simplify operation and minimise maintenance downtime.

The LCD screen on DCP200 displays real-text messages, removing ambiguity that can be caused by mnemonic codes on LED displays used in many products. Information is displayed in a logical format to be easily understood, hence reducing the risk of errors.

User screens are only displayed as each function is enabled; creating an optimised menu structure that is simpler to navigate. Access to specific settings and parameters can also be restricted by assigning them to password protected supervisor and configuration parameter access levels.

The process of configuring the DCP200 is simplified as a setup wizard runs on first power-up. The user is guided step-by-step through the common parameter settings to quickly program the unit. These settings can be saved on a memory stick via the USB port and can be used for reconfiguration or to program other DCP200 units. BlueControl software can be used for on and off-line configuration.

Flexible input and output option boards mean that the controller can be selected to precisely match an application. Universal process input (Thermocouple, PT100 & linear DC), digital inputs, remote setpoint inputs, RS485 and Ethernet (Modbus TCP) comms and up to nine outputs (relay, SSR driver, triac, linear DC and 24V transmitter PSU) are all available.

The profiling function supports 255 segments for use in up to 64 profiles; segments supported are ramp, dwell, hold, loop, jump to profile. Profile control is possible from the controller, remote input or timed via the integral real time clock.

There is an increasing requirement to log process data for quality control purposes. The optional datalogging feature is a low cost method of recording historical data for exporting to a .CSV file.

Specifications

PROCESS INPUT				
Parameter	Description			
Sampling Rate:	10 per second.			
Resolution:	16 bits. Always four times better than display resolution.			
Impedance:	>10M Ω resistive, except DC mA (5 Ω) and V (47k Ω).			
Temperature stability:	Error <0.01% of span per $^{\circ}$ C change in ambient temperature.			
Supply Variation:	Supply voltage influence negligible within supply limits.			
Humidity Influence:	Negligible if non-condensing.			
Process Display:	Displays up to 5% over and 5% under span limits.			
Process Variable Input Offset:	Reading adjustable \pm Controller Span. +ve values added to Process Variable, -ve values subtracted from Process Variable			
Sensor Break Detection:	Thermocouple & RTD - Control goes to pre-set power value. High & Sensor Break alarms activate. Linear (4 to 20mA, 2 to 10V and 1 to 5V only) - Control goes to pre-set power value. Low & Sensor Break alarms activate.			
Isolation:	Isolated from all outputs (except SSR driver) at 240V AC.			
Supported Thermocouple Types & Ranges:	Type	Range $^{\circ}$C	Range $^{\circ}$F	
	B	+100 to 1824 $^{\circ}$ C	+211 to 3315 $^{\circ}$ F	
	C	0 to 2320 $^{\circ}$ C	32 to 4208 $^{\circ}$ F	
	D	0 to 2315 $^{\circ}$ C	0 to 4199 $^{\circ}$ F	
	E	-240 to 1000 $^{\circ}$ C	-400 to 1832 $^{\circ}$ F	
	J	-200 to 1200 $^{\circ}$ C	-328 to 2192 $^{\circ}$ F	*
	K	-240 to 1373 $^{\circ}$ C	-400 to 2503 $^{\circ}$ F	*
	L	0 to 762 $^{\circ}$ C	32 to 1402 $^{\circ}$ F	*
	N	0 to 1399 $^{\circ}$ C	32 to 2551 $^{\circ}$ F	*
	PtRh 20%:40%	0 to 1850 $^{\circ}$ C	32 to 3362 $^{\circ}$ F	
	R	0 to 1759 $^{\circ}$ C	32 to 3198 $^{\circ}$ F	
	S	0 to 1762 $^{\circ}$ C	32 to 3204 $^{\circ}$ F	
T	-240 to 400 $^{\circ}$ C	-400 to 752 $^{\circ}$ F	*	
<i>Optional decimal place can be displayed up to 999.9$^{\circ}$C/F</i>				

PROCESS INPUT			
Parameter	Description		
Thermocouple Calibration:	±0.1% of full range, ±1LSD (±1°C for internal CJC if enabled). Linearization better than better ±0.2°C (±0.05 typical) on ranges marked * in the table above. Linearization for other ranges is better than better than ±0.5°C. BS4937, NBS125 & IEC584		
Supported RTD Types & Ranges:	Type	Range °C	Range °F
	3-Wire PT100	-199 to 800°C	-328 to 1472°F
	NI120	-80 to 240°C	-112 to 464°F
<i>Optional decimal place can be displayed up to 999.9°C/F</i>			
RTD Calibration:	0.1% of full range, ±1LSD. Linearization better than ±0.2°C (±0.05 typical). PT100 input to BS1904 & DIN43760 (0.00385Ω/Ω/°C).		
RTD Excitation:	Sensor current 150µA ±10%.		
Lead Resistance:	<0.5% of span error for max 50Ω per lead, balanced.		
Supported Linear Types & Ranges:	Type	Range	Offset Range
	mA DC	0 to 20mA DC	4 to 20mA DC
	mV DC	0 to 50mV DC	10 to 50mV DC
	V DC	0 to 5V DC	1 to 5V DC
	V DC	0 to 10V DC	2 to 10V DC
<i>Scalable from -9999 to 10000. Decimal point selectable from 0 to 3 places, but limited to 5 display digits (eg. 9999.9)</i>			
DC Calibration:	±0.1% of full range, ±1LSD.		
DC Input Multi-Point Linearization:	Up to 15 scaling values can be defined anywhere between 0.1 and 100% of input.		

AUXILIARY INPUTS (Optional)			
Parameter	Description		
Supported Input Types & Ranges:	Type	Slot A Ranges	Slot B Ranges
	mA DC	0 to 20, 4 to 20	0 to 20, 4 to 20
	mV DC		0 to 50, 10 to 50, 0 to 100
	V DC	0 to 5, 1 to 5, 0 to 10, 2 to 10	0 to 5, 1 to 5, 0 to 10, 2 to 10
	Potentiometer		>2000Ω
Accuracy:	±0.25% of input range ±1 LSD.		
Sampling Rate:	4 per second.		
Resolution:	16 bits.		
Impedance:	>10MΩ resistive, except DC mA (10Ω) and V (47kΩ).		
Sensor Break Detection:	4 to 20mA, 2 to 10V and 1 to 5V ranges only. Control goes to pre-set power value if Aux Input is the active setpoint source.		
Isolation:	Reinforced safety isolation from outputs and inputs (except to Digital Input B).		
Auxiliary Input Scaling:	Scalable as Remote Setpoint (RSP) input between -1999 and 9999, but constrained within setpoint limits.		

DIGITAL INPUTS (Optional)			
Parameter	Description		
Volt-free contacts (or TTL):	Open contacts (>5000Ω or 2 to 24VDC signal = Logic High)		
	Closed contacts (<50Ω or -0.6 to +0.8VDC signal = Logic Low).		
Isolation:	Reinforced safety isolation from inputs and other outputs.		
Digital Input Sensitivity:	Edge Sensitive. Requires High-Low or Low-High transition to change function. Response within <0.25 second.		
Selectable Digital Input Functions:	Function	Logic High	Logic Low
	Internal Setpoint Select	Local SP1	Alternate SP
	Auto/Manual Control Select	Automatic	Manual Mode
	Control Outputs	Enabled	Disabled

OUTPUT (Options)	
Parameter	Description
Single Relay Type & Rating: Lifetime: Isolation:	Single pole double throw (SPDT); 2A resistive at 120/240VAC. >500,000 operations at rated voltage/current. Reinforced safety isolation from inputs and other outputs.
Dual Relay Type & Rating: Lifetime: Isolation:	Single pole single throw (SPST), 2A resistive at 120/240VAC. Dual relay modules have shared common. >200,000 operations at rated voltage/current. Reinforced safety isolation from inputs and other outputs.
Quad Relay Type & Rating: Lifetime: Isolation:	Single pole single throw (SPST), 2A resistive at 120/240VAC. Dual relay modules have shared common. >500,000 operations at rated voltage/current. Reinforced safety isolation from inputs and other outputs.
SSR Driver Drive Capability: Isolation:	SSR driver voltage >10V into 500 Ω minimum. Not isolated from the universal input, Ethernet communications or other SSR driver outputs.
Triac Operating Voltage: Current Rating: Isolation:	20 to 280Vrms (47 to 63Hz) 0.01 to 1A (full cycle rms on-state @ 25°C); de-rates linearly above 40°C to 0.5A @ 80°C. Reinforced safety isolation from inputs and other outputs.
Linear DC Ranges Resolution: Accuracy: Isolation:	0 to 5, 0 to 10, 1-5, 2 to 10V & 0 to 20, 4 to 20mA (selectable) with 2% over/under-drive when used for control outputs. 8 bits in 250mS (10 bits in 1s typical, >10 bits in >1s typical). $\pm 0.25\%$ of range, (mA @ 250 Ω , V @ 2k Ω). Degrades linearly to $\pm 0.5\%$ for increasing burden (to specification limits). Reinforced safety isolation from inputs and other outputs.
Transmitter PSU Power Rating: Isolation:	24V nominal (19 to 28V DC) into 910 Ω minimum resistance. (Option to use DC Linear output as 0-10V stabilised PSU). Reinforced safety isolation from inputs and other outputs.

COMMUNICATIONS (Optional)	
Parameter	Description
PC Configuration Connection: Isolation:	RS232 via PC Configurator Cable to RJ11 socket under case. Not isolated from input or SSR Driver outputs. For bench configuration only.
RS485 Connection: Protocol: Slave/Master Mode Supported Speeds: Data Type: Isolation:	Locates in Option Slot A. Connection via rear terminals (refer to wiring diagram). Modbus RTU. Slave address range 1-255 or Setpoint master mode. 4800, 9600, 19200, 38400, 57600 or 115200 bps. 8 data bits and 1 stop bit. Odd, even or no parity. 240V reinforced safety isolation from all inputs and outputs.
Ethernet Connection: Protocol: Supported Speed: Isolation:	Locates in Option Slot A. Connection via RJ45 connector on top of case. Modbus TCP. Slave only. 10BaseT or 100BaseT 240 V reinforced safety isolation from the supply, inputs and outputs (except SSR Drivers).

LOOP CONTROL	
Parameter	Description
Tuning Types:	Pre-Tune, Auto Pre-Tune, Self-Tune or Manual Tuning.
Proportional Bands:	Primary & Secondary (e.g. Heat & Cool) 0.5% to 999.9% of input span in 0.1% increments, or On/Off control.
Automatic Reset:	Integral Time Constant, 1s to 99min 59s and OFF
Rate:	Derivative Time Constant, 1s to 99 min 59s and OFF
Manual Reset:	Bias 0 to 100% (-100% to +100% Primary & Secondary).
Deadband/ Overlap:	-20% to +20% of Primary + Secondary Proportional Band.
ON/OFF Differential:	0.1% to 10.0% of input span
Auto/Manual Control:	Selectable with "bumpless" transfer when switching between Automatic and Manual control.
Cycle Times:	Selectable from 0.5s to 512s.
Setpoint Ramp:	Ramp rate selectable 1 to 9999 LSDs per hour and infinite.

ALARMS	
Parameter	Description
Alarm Types:	Up to 5 alarms selectable as Process High, Process Low, Band, Deviation, Rate of Signal Change (per minute), Sensor/input Break, Loop Alarm. Band and Deviation (high or low) alarm values are relative to the current setpoint value.
Alarm Hysteresis:	A deadband from 1 LSD to full span (in display units) for Process, Band or Deviation Alarms. Rate Of Change Alarm hysteresis is the shortest time (1 to 9999 secs) the rate of change must be above the threshold for the alarm activate, or fall below the threshold to deactivate. Note: If the duration is less than this time, the alarm will not activate no matter how fast the rate of rise.
Combination Alarm Outputs:	Logical OR of alarms 1 & 2, 1 to 3, 1 to 4 or 1 to 5. Logical AND of alarms 1 to 5 with Profiler Events 1 to 5.

OPERATING CONDITIONS (FOR INDOOR USE)	
Parameter	Description
Temperature:	0°C to 55°C (Operating), -20°C to 80°C (Storage).
Relative Humidity:	20% to 95% non-condensing.
Supply Voltage and Power:	Mains versions: 100 to 240VAC \pm 10%, 50/60Hz, 20VA. Low voltage versions: 20 to 48V 50/60Hz 15VA or 22 to 65VDC 12W.

ENVIRONMENTAL	
Parameter	Description
Standards:	CE, UL, cUL.
EMI:	Complies with EN61326.
Safety Considerations:	Complies with EN61010-1 & UL61010C-1. Pollution Degree 2, Installation Category II.
Front Panel Sealing:	To IP66 (IP65 front USB connector). IP20 behind the panel.

DISPLAY	
Parameter	Description
Display Type:	160 x 80 pixel, monochrome graphic LCD with a dual colour (red/green) backlight.
Display Area:	66.54mm (W) x 37.42mm (H).
Display Characters:	0 to 9, a to z, A to Z, plus () - and _
Trend View:	120 of 240 data points shown in a scrollable window. Data is not retained when power turned off or if time base is changed.
Trend Data:	Any active alarm plus PV (solid) & SP (dotted) at sample time or Max/Min PV between samples (candle-stick graph).
Trend Sample Rate:	1; 2; 5; 10; 15; 30 seconds or 1; 2; 5; 10; 15; 30 minutes.

ADDITIONAL DIGITAL INPUT OPTIONS			
Parameter	Description		
Selectable Digital Input Functions:	Function	Logic High	Logic Low
	Profile Run/Hold	Hold	Run
	Hold Segment Release	Release	No Action
	Profile Abort	Abort	No Action
	Data Recorder	Stop	Start
Digital Input Sensitivity:	Edge Sensitive. Requires High-Low or Low-High transition to change function. Response within <0.25 second		

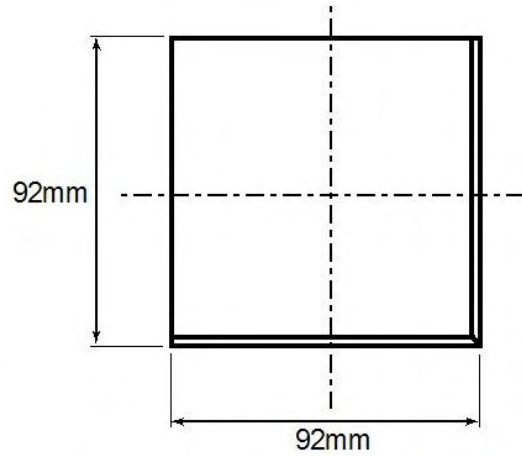
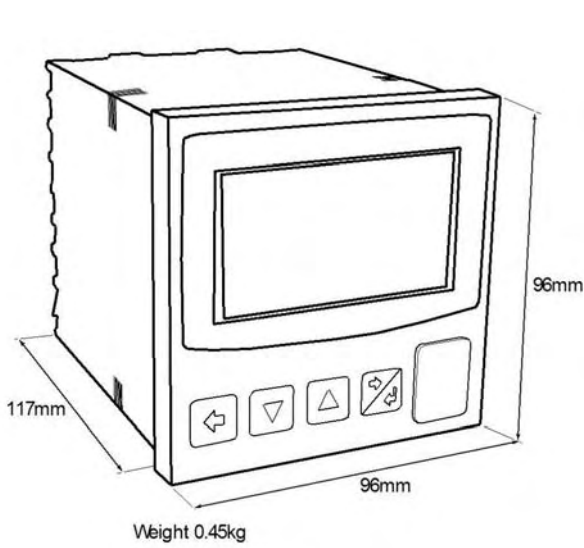
ADDITIONAL COMMUNICATIONS OPTIONS – USB	
Parameter	Description
Connection:	Locates in Option Slot C. Connection via front mounted connector.
Protocol:	USB 1.1 or 2.0 compatible. Mass Storage Class.
Supply Current:	Up to 250mA.
Targeted Peripheral:	USB Memory Stick.
Isolation:	Reinforced safety isolation from all inputs and outputs.

ADDITIONAL ALARMS OPTIONS	
Parameter	Description
Combination Alarm Outputs:	Logical AND of alarms 1 to 5 with Profiler Events 1 to 5.

DATA RECORDER (Optional)	
Parameter	Description
Recording Memory:	1Mb non-volatile flash memory. Data retained when power is turned off.
Recording Interval:	1; 2; 5; 10; 15; 30 seconds or 1; 2; 5; 10; 15; 30 minutes.
Recording Capacity:	Dependant on sample rate and number of values recorded. Two values can be recorded for up to 7 days at 10s intervals. More values or faster sample rates reduce the maximum duration.
RTC Battery Type:	CR 1616 3V Lithium. Clock runs for >1 year without power.
RTC accuracy	Real Time Clock error <1second per day.

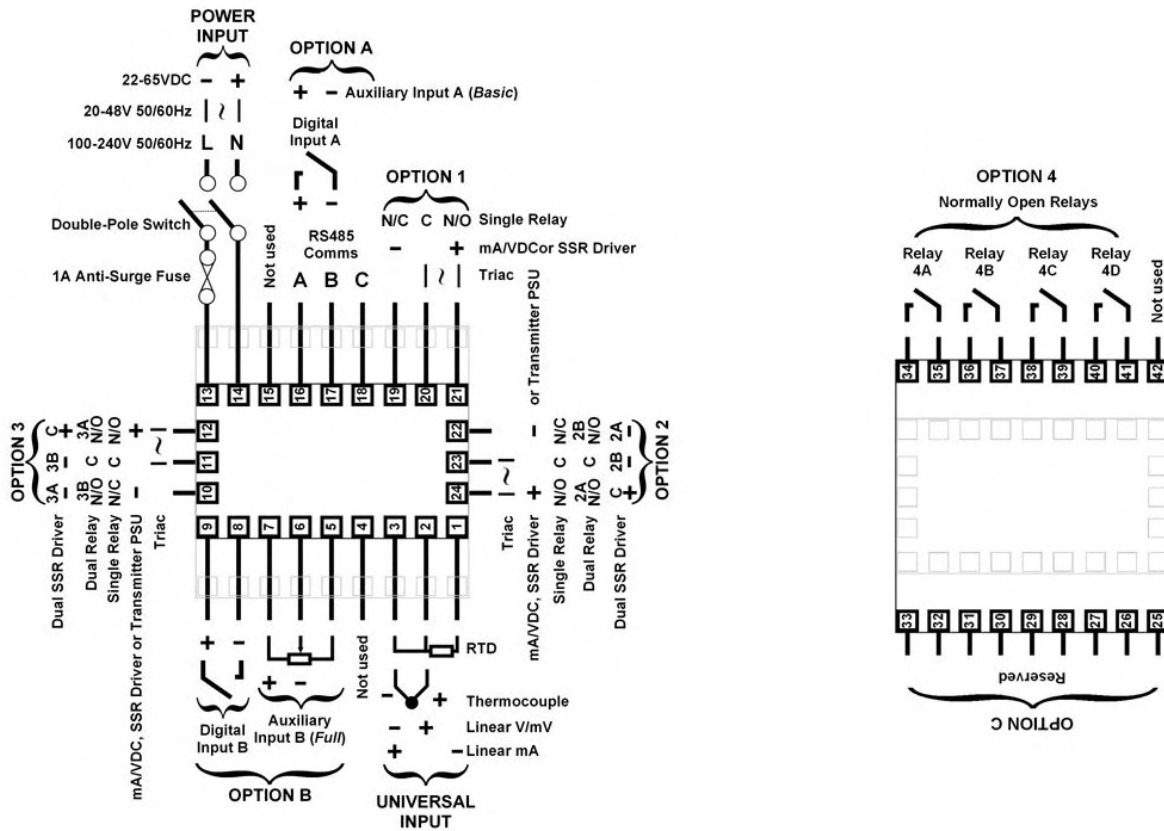
PROFILER	
Parameter	Description
Profile Limits	Number of profiles = 64 maximum. Total number of segments (all programs) = 255 maximum.
Loop Back	1 to 9999 loops back to specified segment.
Profile Cycling	1 to 9999 or Infinite repeats per profile.
Sequence Repeats	1 to 9999 or Infinite repeats of joined profile sequences.
Segment Types	Ramp Up/Down over time, Ramp Rate Up/Down, Step, Dwell, Hold, Join A Profile, End or Repeat Sequence Then End.
Timebase	hh:mm:ss (Hours, Minutes & Seconds).
Segment Time	Maximum segment time 99:59:59 hh:mm:ss. Use loop-back for longer segments (e.g. 24:00:00 x 100 loops = 100 days).
Ramp Rate	0.001 to 9999.9 display units per hour.
Hold Segment Release	Release With Key Press, At Time Of Day or Digital Input.
Start From	1st segment starts from current setpoint or current input value.
Delayed Start	After 0 to 99:59 (hh:mm) delay, or at specified day(s) & time.
End On	Keep Last Profile Setpoint, Use Controller Setpoint or Control Outputs Off.
Abort Action	Keep Last Profile Setpoint, Use Controller Setpoint or Control Outputs Off.
Power/signal Loss Recovery	Continue Profile, Restart Profile, Keep Last Profile Setpoint, Use Controller Setpoint or Control Outputs Off.
Auto-Hold	Hold if input >Band above and/or below SP for each segment.
Profile Control	Run, Manual Hold/Release, Abort or jump to next segment.
Segment Events	Events turn on for the duration of the segment. For End Segments, the event state persists until another profile starts, the user exits from profiler mode, or the unit is powered down.

Dimensions and installation



Cut-out tolerance +0.5mm, -0.0mm
Maximum panel thickness 6.0 mm

Connections



Model Selection Guide

Instructions

- Select the desired Key Number. The arrow to the right marks the selection available.
- Make one selection each from Table I thru V, using the column below the proper arrow.
- A dot (•) denotes unrestricted availability. A letter denotes restricted availability.

Key Number I II III IV V VI VII

_____ - [] - [] - [] - [] - [] - [] - []

KEY NUMBER Description	Selection	Availability
Controller Programmer	DCP201	↓
Controller Programmer with USB Port	DCP202	↓
Controller Programmer w/Recording & USB Port	DCP203	↓

TABLE I - Power Supply

100 - 240 Vac	0	• • •
24 - 48 Vac or Vdc	2	• • •

TABLE II - Output Slot 1

None	0	• • •
Relay	1	• • •
DC Drive for SSR	2	• • •
Linear DC Output	L	• • •
Triac Output	8	• • •

TABLE III - Output Slot 2

None	0	• • •
Relay	1	• • •
DC Drive for SSR	2	• • •
Linear DC Output	L	• • •
Triac Output	8	• • •
Dual Relay Output	9	• • •
Dual SSR Driver Output	S	• • •
24Vdc Xmtr Power	T	• • •

TABLE IV - Output Slot 3

None	0	• • •
Relay	1	• • •
DC Drive for SSR	2	• • •
Linear DC Output	L	• • •
Triac Output	8	• • •
Dual Relay Output	9	• • •
Dual SSR Driver Output	S	• • •
24Vdc Xmtr Power	T	• • •

TABLE V - Output Slot 4

	Selection	Availability
None	0	• • •
Four Relay Output	1	• • •

TABLE VI Options

	Selection	Availability	
Slot A Options	No Selection	0 __	• • •
	RS485 ASCII Serial Communications	1 __	• • •
	Digital Input (Slot A)	3 __	• • •
	Auxiliary Input (Slot A)	4 __	• • •
	Ethernet	5 __	• • •
Slot B Options	None	_ 0 _	• • •
	Full Auxiliary Input (Slot B)	_ R _	• • •
Future (Slot C)	No Selection	_ _ 0	• • •

TABLE VII

Manuals/Language	English Manual	1	• • •
	French Manual	2	• • •
	German Manual	3	• • •
	Italian Manual	4	• • •
	Spanish Manual	5	• • •
	Russian Manual	R	• • •

Contact information

For application assistance, current specifications, pricing, or name of the nearest Authorized Distributor, contact one of the offices below. Or, visit Honeywell on the World Wide Web at: www.honeywell.com/ps

ASIA PACIFIC

Control Products

Asia Pacific Headquarters
Phone: +(65) 6355-2828
Fax: +(65) 6445-3033

Asia Pacific Global Technical Support Field Instruments

Phone: +65 6580 3156
Fax: +65 6445-3033

Process Instruments

Phone: (603) 76950 4777
Fax: (603) 7958 8922

Australia

Honeywell Limited
Phone: +(61) 7-3846 1255
FAX: +(61) 7-3840 6481
Toll Free 1300-36-39-36
Toll Free Fax:
1300-36-04-70

China – PRC - Beijing

Honeywell China Inc.
Phone: +(86-10) 8458-3280
Fax: +(86-10) 8458-4650

China – PRC - Shanghai

Honeywell China Inc.
Phone: (86-21) 5257-4568
Fax: (86-21) 6237-2826

China – PRC - Chengdu

Honeywell China Inc.
Phone: +(86-28) 8678-6348
Fax: +(86-28) 8678-7061

China – PRC - Xi'an

Honeywell China Ltd - Xi'an.
Phone: +(86-29) 8833-7490
Fax: +(86-29) 8833-7489

China – PRC - Shenzhen

Honeywell China Inc.
Phone: +(86) 755-2518-1226
Fax: +(86) 755-2518-1221

Indonesia

PT Honeywell Indonesia
Phone: +(62) 21-535-8833
FAX: +(62) 21-5367 1008

India

Automation India Ltd.
Honeywell Ltd.
Phone: +(91) 5603-9400
Fax: +(91) 5603-9600

Japan

Honeywell Inc.
Phone: +(81) 3 6730 7150
Fax: +(81) 3 6730 7228

Malaysia

Honeywell Engineering
Sdn Bhd
Phone: +(60-3) 7950-4776
Fax: +(60-3) 7958-8922

New Zealand

Honeywell Limited
Phone: +(64-9) 623-5052
Fax: +(64-9) 623-5060
Toll Free (0800) 202-088

Philippines

Honeywell Systems
(Philippines) Inc.
Phone: +(63-2) 633-2830-31/
636 1661-62
Fax: +(63-2) 638-4013

Singapore

Honeywell Pte Ltd.
Phone: +(65) 6580 3278
Fax: +(65) 6445-3033

South Korea

Honeywell Korea Co Ltd
Phone: +(822) 799 6315
Fax: +(822) 792 9015

Thailand

Honeywell Systems
(Thailand) Ltd.
Phone: +(662) 693-3099
FAX: +(662) 693-3089

Taiwan R.O.C.

Honeywell Taiwan Ltd.
Phone: +(886-2) 2245-1000
FAX: +(886-2) 2245-3241

SE Asia Countries

see Honeywell Pte Ltd
(Singapore)

for:

Pakistan
Cambodia
Guam
Laos
Myanmar
Vietnam
East Timor

SE Asia Countries

see Honeywell Automation
India Ltd for:
Bangladesh
Nepal
Sri Lanka

EUROPE

Austria

Honeywell Austria GmbH
Phone: +43 (316)400123
FAX: +43 (316)40017

Belgium

Honeywell SA/NV
Phone: +32 (0) 2 728 24 07
FAX: +32 (0) 2 728 22 45

Bulgaria

Honeywell EOOD
Phone: +(359) 2 40 20 900
FAX: +(359) 2 40 20 990

Czech Republic

Honeywell spol. s.r.o.
Phone: +420 242 442 232
FAX: +420 242 442 131

Denmark

Honeywell A/S
Phone: +(45) 39 55 55 55
FAX: +(45) 39 55 55 58

Finland

Honeywell OY
Phone: +358 (0) 20752 2753
FAX: +358 (0) 20752 2751

France

Honeywell SA
Phone: +33 (0)1 60198075
FAX: +33 (0)1 60198201

Germany

Honeywell AG
Phone: +49 (69)8064-299
FAX: +49 (69)806497336

Hungary

Honeywell Kft.
Phone: +36-1-451 4300
FAX: +36-1-451 4343

Italy

Honeywell S.p.A.
Phone: +39 02 92146 307/
395
FAX: +39 0292146377

The Netherlands

Honeywell B.V.
Phone: +31 (0) 20 5656200
FAX: +31 (0) 20 5656210

Norway

Honeywell A/S
Phone: (45) 39 55 55 55

Poland

Honeywell Sp. zo.o
Phone: +48-22-6060900
FAX: +48-22-6060901

Portugal

Honeywell Portugal Lda
Phone: +351 21 424 5000
FAX: +351 21 424 50 99

Romania

Honeywell Bucharest
Phone: +40 (0) 21 2316437
FAX: +40 (0) 21 2316439

Russian Federation (RF),

ZAO "Honeywell"
Phone: +7 (095) 796 98 00
FAX: +7 (495) 797 99 64

Slovak Republic

Honeywell s.r.o.
Phone: +421-2-58247 410
FAX: +421-2-58247 415

Spain

Honeywell S.A.
Phone: +34 (0)91313 61 00
FAX: +34 (0)91313 61 30

Sweden

Honeywell AB
Phone: +(46) 8 775 55 00
FAX: +(46) 8 775 56 00

Switzerland

Honeywell AG
Phone: +41 18552448
FAX: +(41) 1 855 24 45

Turkey

Honeywell Turkey A.S.
Phone: +90 216 578 71 00
FAX: +90 216 575 66 35

Ukraine

Honeywell
Tel: +380-44-201 44 74
Fax: +380-44-201-44-75

United Kingdom

Honeywell Control Systems
Ltd.
Phone: +44 (0)1344 655251
FAX: +44 (0) 1344 655554

MIDDLE EAST

Abu Dhabi U A E

Middle East Headquarters
Honeywell Middle East Ltd.
Phone: +971 2 4041246
FAX: +971 2 4432536

Sultanate of Oman

Honeywell & Co Oman LLC
Phone: +968 24 701153/
Ext.33
FAX +968 24 787351

Saudia Arabia

Honeywell Turki Arabia Ltd
Jubail Office
Phone: +966-3-341-0140
Fax: +966-3-341-0216
Honeywell - ATCO
Dammam Office
Phone: 0096638304584
Fax: 0096638338059

Kuwait

Honeywell Kuwait KSC
Phone: +965 242 1327 to 30
Fax: +965 242 8315
and
Phone: +965 326 2934/1821
Fax: +965 326 1714

AFRICA

Mediterranean & African Distributors

Honeywell SpA
Phone: +39 (02) 250 10 604
FAX: +39 (02) 250 10 659

South Africa (Republic of) and sub saharan

Honeywell Southern Africa
Honeywell S.A. Pty. Ltd.
Phone: +27 11 6958000
FAX +27 118051504

NORTH AMERICA

Canada

Honeywell LTD
Phone: 1-800-737-3360
FAX: 1-800-565-4130

USA

Honeywell Process Solutions,
Phone: 1-800-343-0228
FAX: 1-717-771-8251
Email: sc-cp-appssales@honeywell.com

LATIN AMERICA

Argentina

Honeywell S.A.I.C.
Phone: +(54-11) 4383-3637
Fax: +(54-11) 4325-6470

Brazil

Honeywell do Brasil & Cia
Phone: +(55-11) 7266-1900
FAX: +(55-11) 7266-1905

Chile

Honeywell Chile, S.A.
Phone: +(56-2) 233-0688
FAX: +(56-2) 231-6679

Mexico

Honeywell S.A. de C.V.
Phone: +(52) 55 5259-1966
FAX: +(52) 55 5570-2985

Puerto Rico

Honeywell Inc.
Phone: +(809) 792-7075
FAX: +(809) 792-0053

Trinidad

Honeywell Inc.
Phone: +(868) 624-3964
FAX: +(868) 624-3969

Venezuela

Honeywell CA
Phone: +(58-2) 238-0211
FAX: +(58-2) 238-3391

Specifications are subject to change without notice.

For More Information

Learn more about how Honeywell's Digital Controller Programmers can increase performance, reduce downtime and decrease configuration costs, visit our website www.honeywell.com/ps or contact your Honeywell account manager.

Automation & Control Solutions

Process Solutions

Honeywell

2500 W. Union Hills Dr.

Phoenix, AZ 85027

Tel: 877.466.3993 or 602.313.6665

www.honeywell.com/ps

The Honeywell logo is displayed in a bold, red, sans-serif font.

51-52-03-47
April 2009
© 2008-09 Honeywell International Inc.