

V4/V5-BFW-GP16/GP25 SERIES

WAFER TYPE BUTTERFLY VALVES – WITH HAND LEVEL/ GEAR OPERATED HANDWHEEL

PRODUCT DATA

FEATURES



Cast Iron body

90° closing or opening operation (10 position)

Lock level handle (steel material)

Elastomer liner

Memory lock mechanism

Ductile disc with nickel plated

SPECIFICATIONS

Valve sizes: DN50 – DN600

Nominal pressure: 16 bar at -10°C to 120°

Test pressure: Shell (Water) – 24 Bar

Test pressure: Seat (Water) – 17.6 Bar

Pipe connection (PN16): ISO7005-2



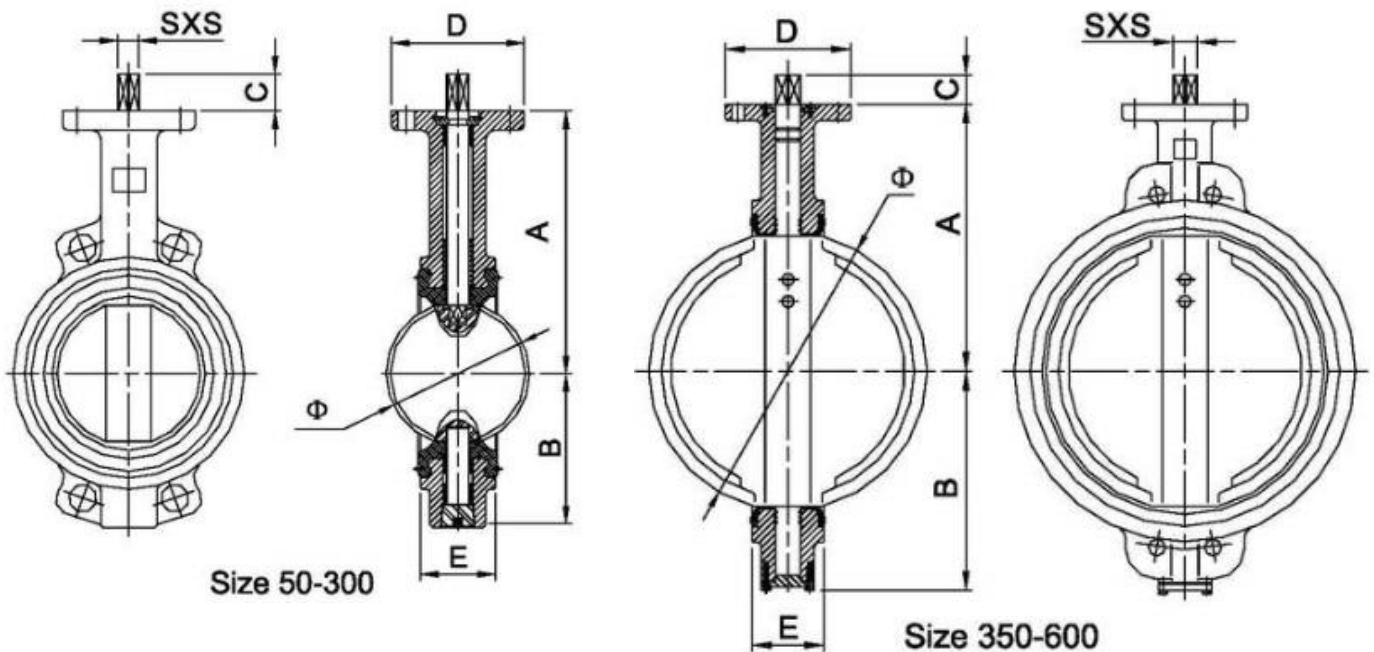
MATERIAL

No	Description	Material	Material Symbol
1	Body	Cast Iron	EN-JL 1040
		Ductile Cast Iron	EN-JS 1040
2	Shaft	Stainless Steel	420 S37 EN10088-3
3	Disc	Ductile Iron	EN-JS 1040
		Stainless Steel	304S31 EN10028-7
		Bronze	EN1982 CC491K
4	Bushing	PTFE	Commercial
5	Liner	Rubber	EPDM/ NBR/ Viton
6	O-rings	Rubber	EPDM/ NBR/ Viton

Honeywell

Dimension (mm)

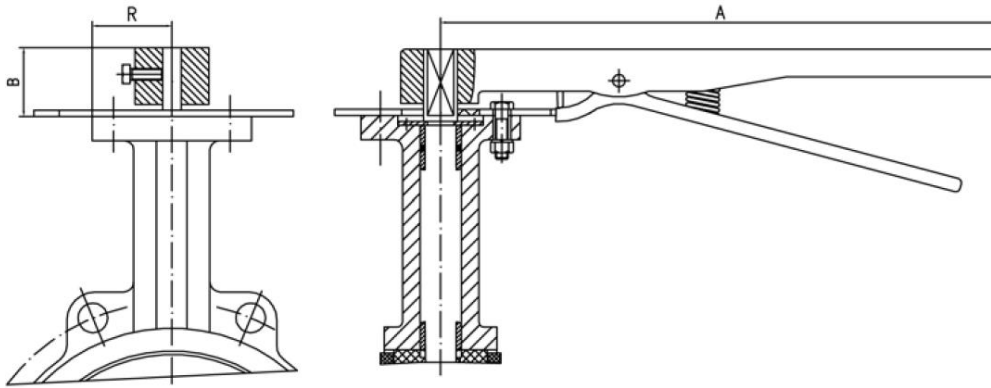
Size	50	65	80	100	125	150	200	250	300	350	400	450	500	600	
A	161	175	181	200	215	225	241	296	336	368	400	422	480	562	
B	80	91	95	115	134	138	174	198	234	288	315	340	388	450	
C	30	30	30	30	30	30	30	30	30	45	45	45	45	45	
D	90	90	90	90	90	90	125	125	125	150	175	175	210	210	
E	43	45	46	51.5	56	56.5	60	68.5	79.5	78	88	109	127	154	
Φ	56.8	71.5	83	101.5	127.8	151.1	200.5	250.8	300.5	335.5	393.5	443.5	500.5	600.8	
SxS	11x11			14x14			17x17		22x22			27x27		Φ48	
Top Flange	F07	F07	F07	F07	F07	F07	F10	F10	F10	F12	F14	F14	F16	F16	
Weight (kg)	4.4	5.4	5.6	7.4	10	12.2	16.9	26.3	36.3	66.7	110	130.5	157.3	222	



Honeywell

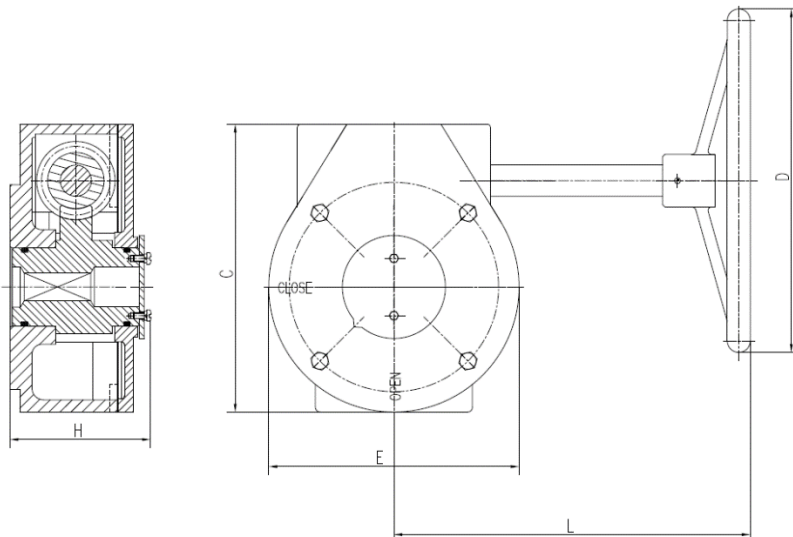
Dimension & weight of hand level (mm)

Size	A	B	R	Weight (kg)
DN50 to DN150	263	26	32	1
DN200 to DN250	326	25	36	1.5
DN300	414	23	37.5	1.5



Dimension & weight of gear operators (mm)

Size	L	H	D	E	C	Weight (kg)
DN50 to DN150	160	62	195	108	130	5
DN200 to DN250	236	82	297	153	177	10
DN300 to DN350	224	95	297	161	198	13
DN400 to DN450	266	121	388	252	281	18
DN500 to DN600	241	117.5	388	264	303	20



Honeywell

CV Value – Flow rate coefficient

Size	10°	20°	30°	40°	50°	60°	70°	80°	90°
DN50	-	1.05	7.35	16.34	33.84	61.85	109.70	135.37	137.71
DN65	-	2.92	12.84	32.68	58.35	107.36	196.06	285.92	301.09
DN80	-	6.19	25.67	58.35	105.03	183.22	329.09	536.82	595.17
DN100	-	11.44	46.68	105.03	184.39	312.76	566.00	960.44	1,080.64
DN125	-	18.67	81.69	175.05	306.92	501.81	893.92	1,575.45	1,750.50
DN150	-	98.03	131.87	268.41	460.97	746.88	1,279.03	2,158.95	2,532.39
DN200	-	130.70	247.40	472.64	791.23	1,265.03	2,083.10	3,553.52	4,483.61
DN250	23.34	180.89	360.60	688.53	1,154.16	1,855.53	3,169.57	5,560.76	5,851.34
DN300	56.02	330.26	448.13	869.42	1,462.25	2,401.69	4,366.91	7,958.94	10,771.41
DN350	145.88	366.44	770.22	1,382.90	2,339.84	3,760.07	6,063.73	10,853.10	12,591.93
DN400	189.05	481.97	1,007.12	1,803.02	3,059.87	4,901.40	7,902.92	14,167.38	16,432.53
DN450	231.07	597.50	1,248.69	2,234.81	3,791.58	6,087.07	9,821.47	17,680.05	20,821.61
DN500	289.42	735.21	1,546.28	2,759.96	4,685.51	7,515.48	12,136.80	21,734.21	25,709.01
DN600	415.45	1,056.14	2,216.13	3,977.14	6,742.93	10,821.59	17,487.50	31,226.59	37,087.26

SELECTION CHART

